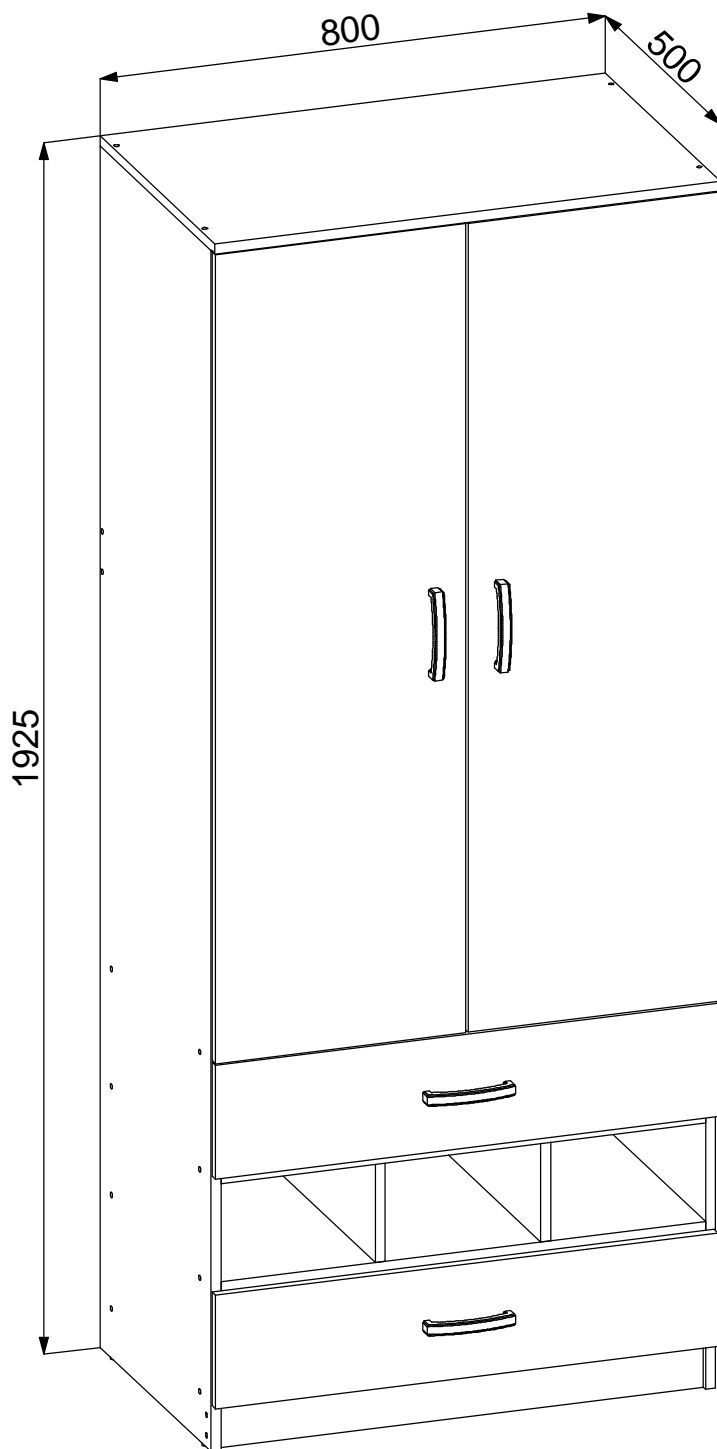
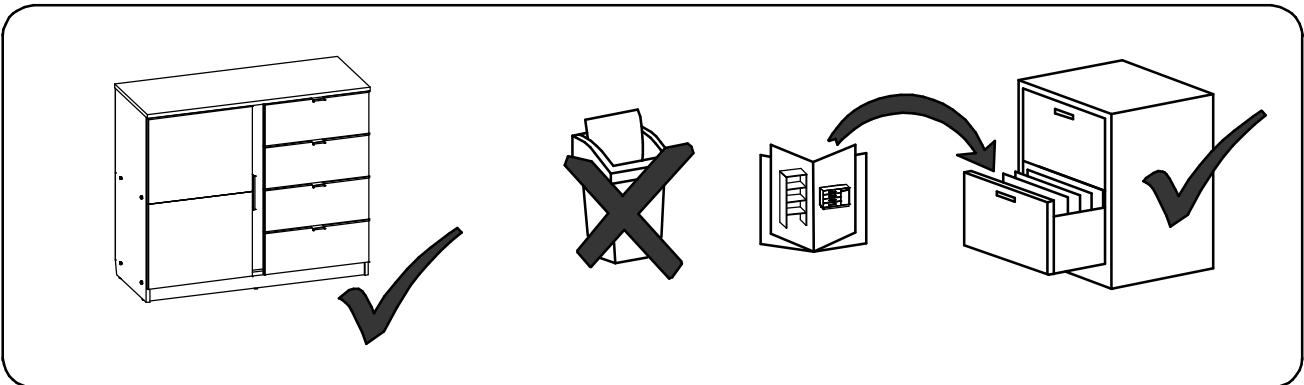
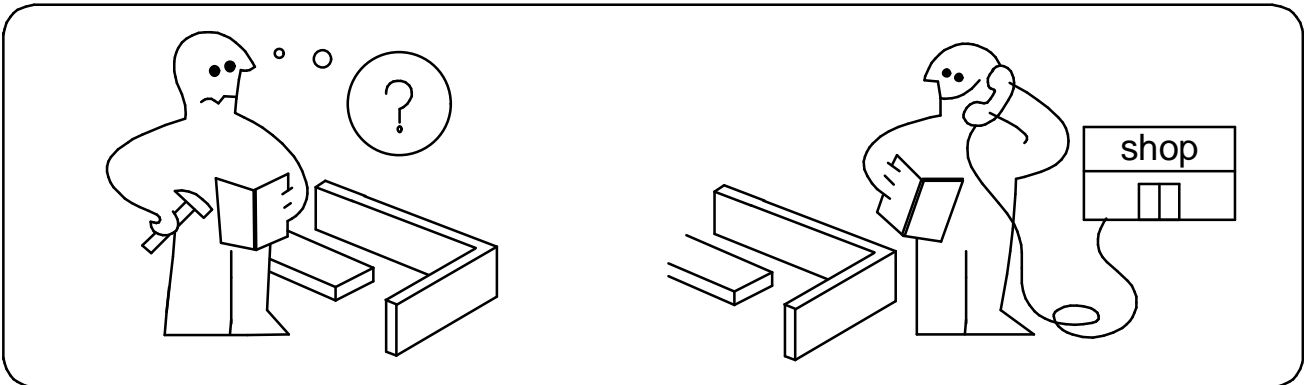
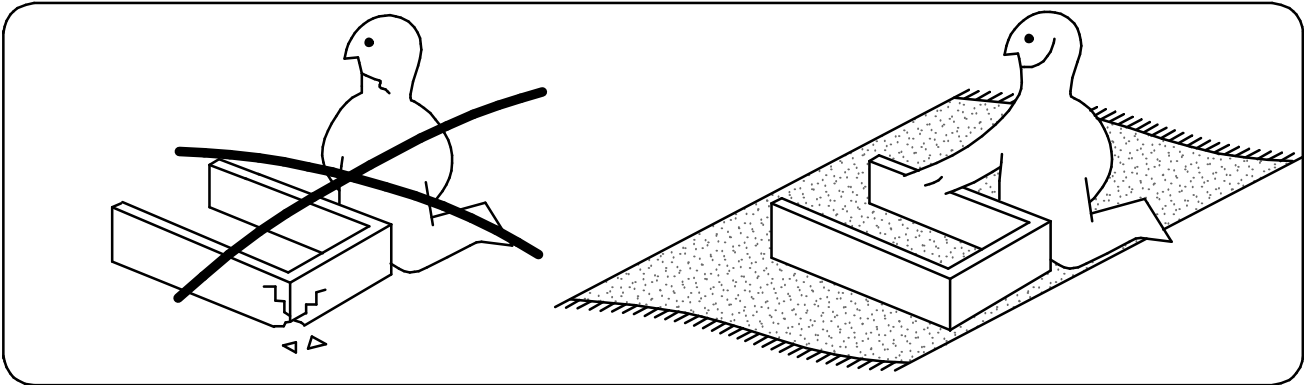
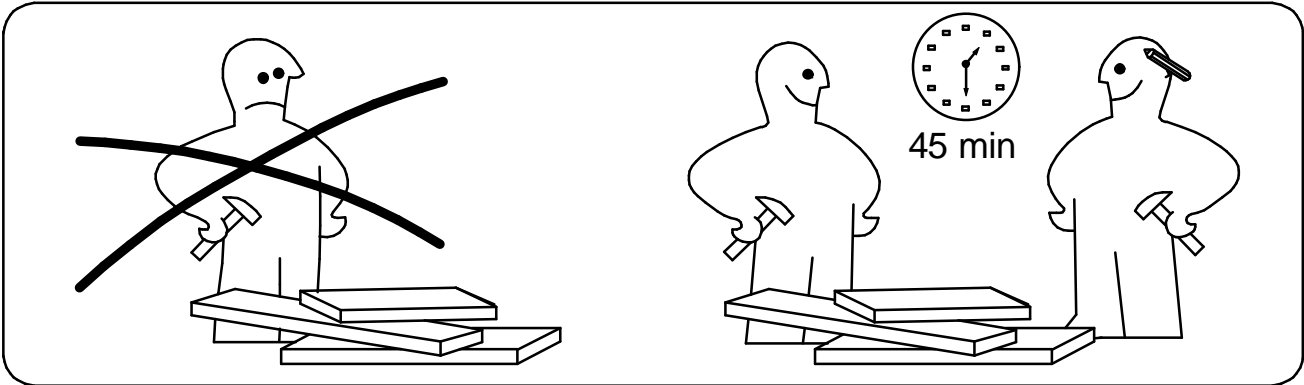
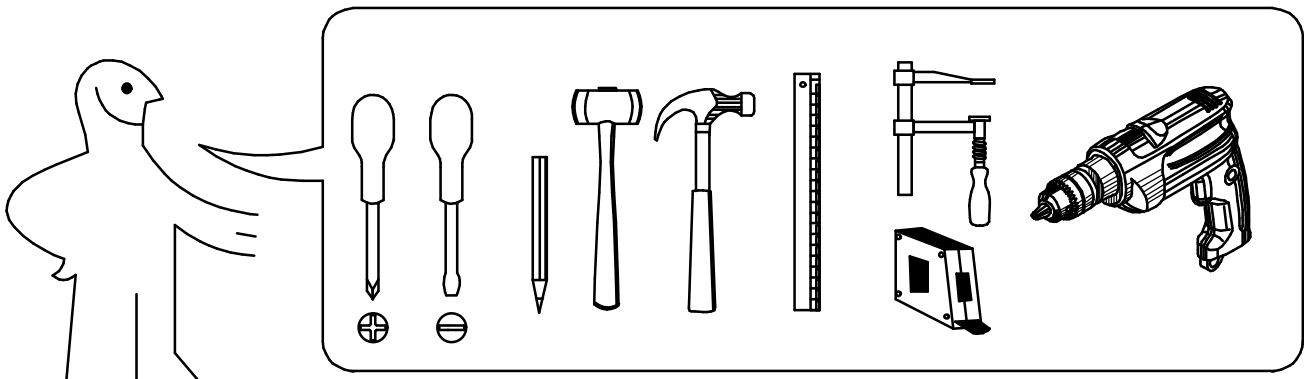
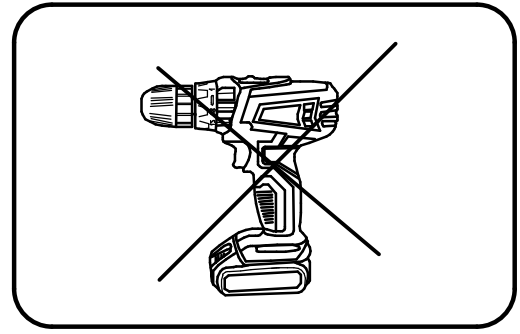
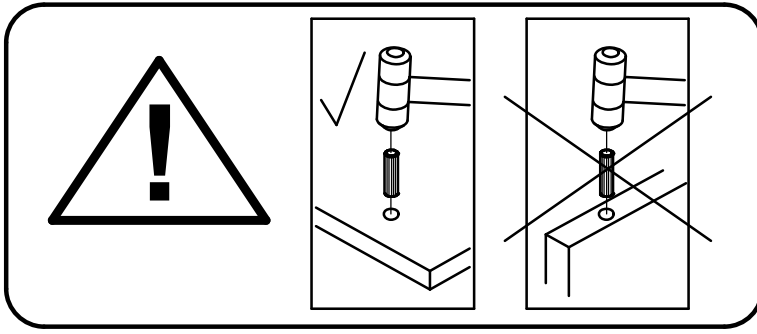







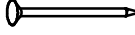
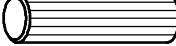

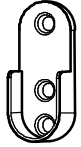
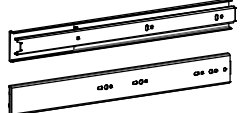
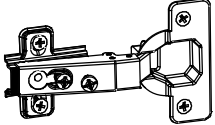

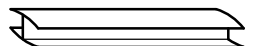
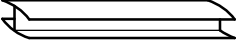
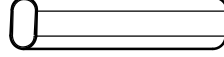



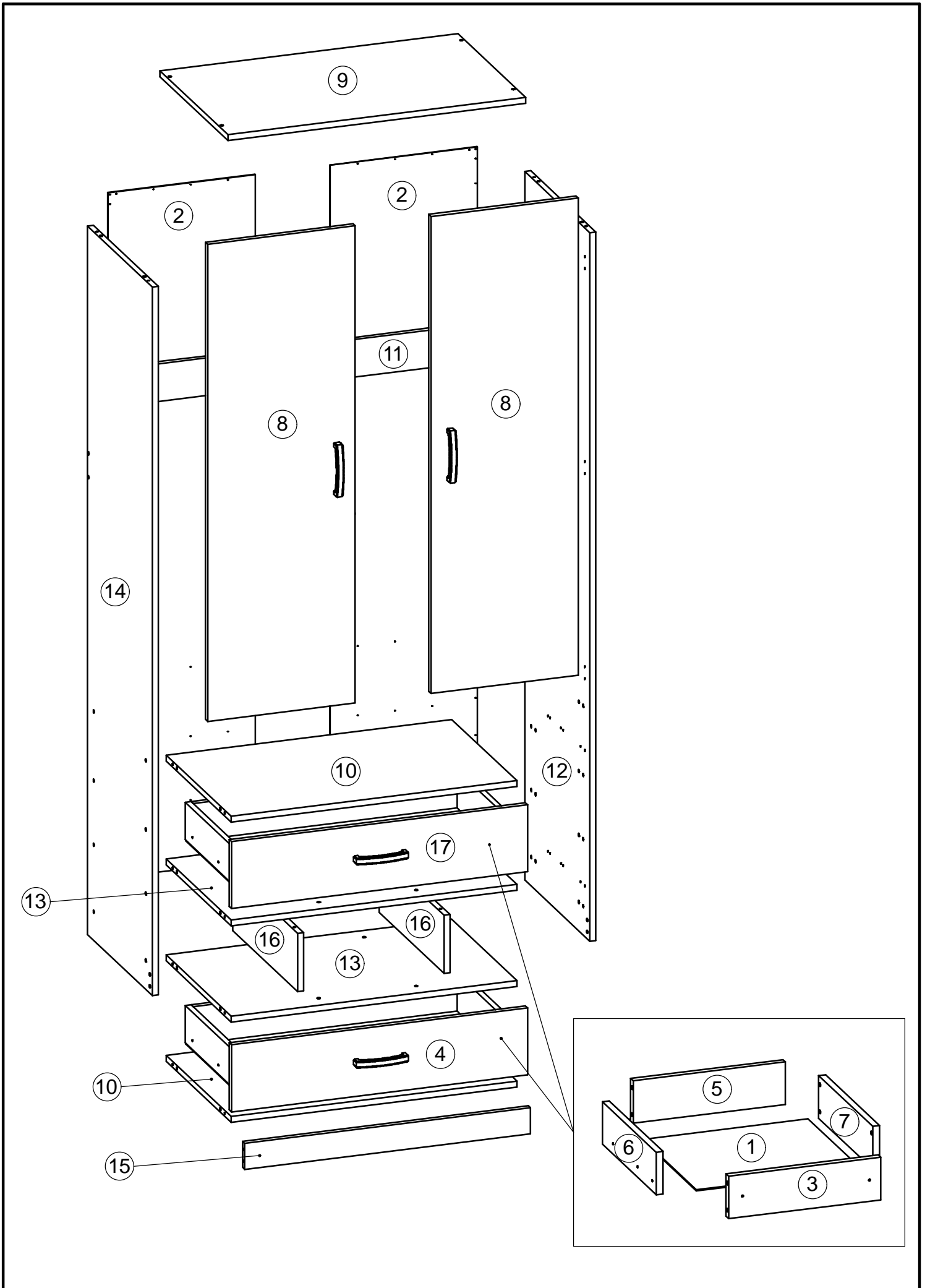
Гардероб Деос





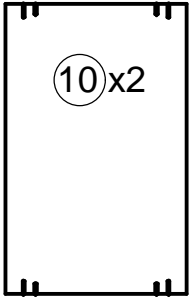


 Ø6,3x50 mm A1 x 36	 Ø12 mm A2 x 36	 4 mm A3 x 1	 Ø12x3 mm C x 4	 Ø4x16 mm D1 x 56
 Ø4,2x25 mm D2 x 8	 Ø4x30 mm D3 x 6	 Ø1,6x20 mm F x 128	 Ø8x36 mm G x 40	 H x 4
 I x 2	 K x 2	 M x 6	 Ø15 mm N x 4	 587 mm O1 x 2
 154 mm O2 x 1	 762 mm P x 1	 50g R x 1		



Box 1/3

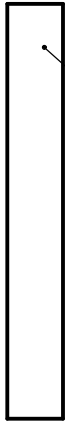
768x480x16 mm



768x100x16 mm



70x768x16 mm

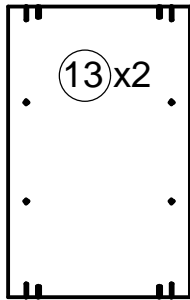


Fittings & Tools

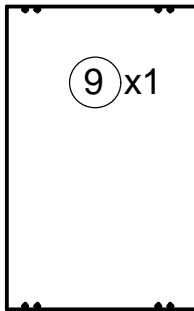
710x100x16 mm



768x480x16 mm



800x500x16 mm



710x100x16 mm



400x100x16 mm



400x100x16 mm

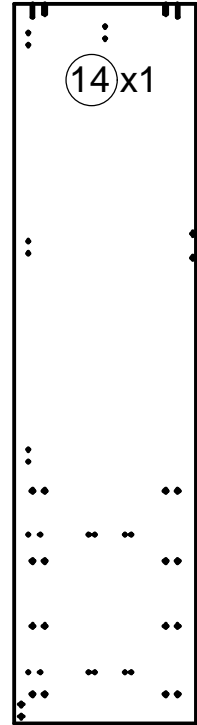


Box 2/3

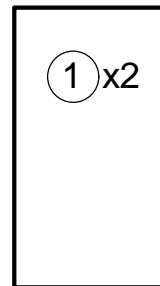
1904x480x16 mm



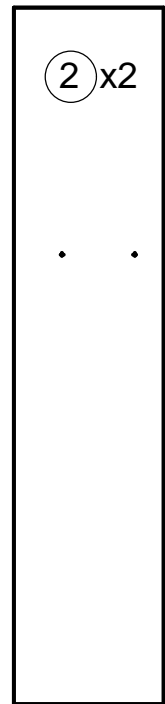
1904x480x16 mm



740x398x3 mm

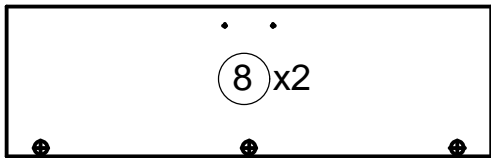


1842x396x3 mm

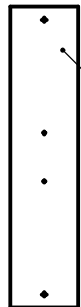


Box 3/3

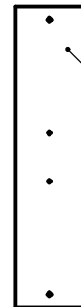
1281x395x16 mm



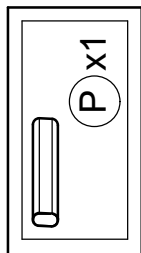
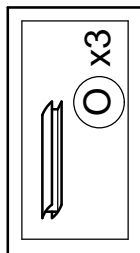
179x795x16 mm



179x795x16 mm



156x479x16 mm



1



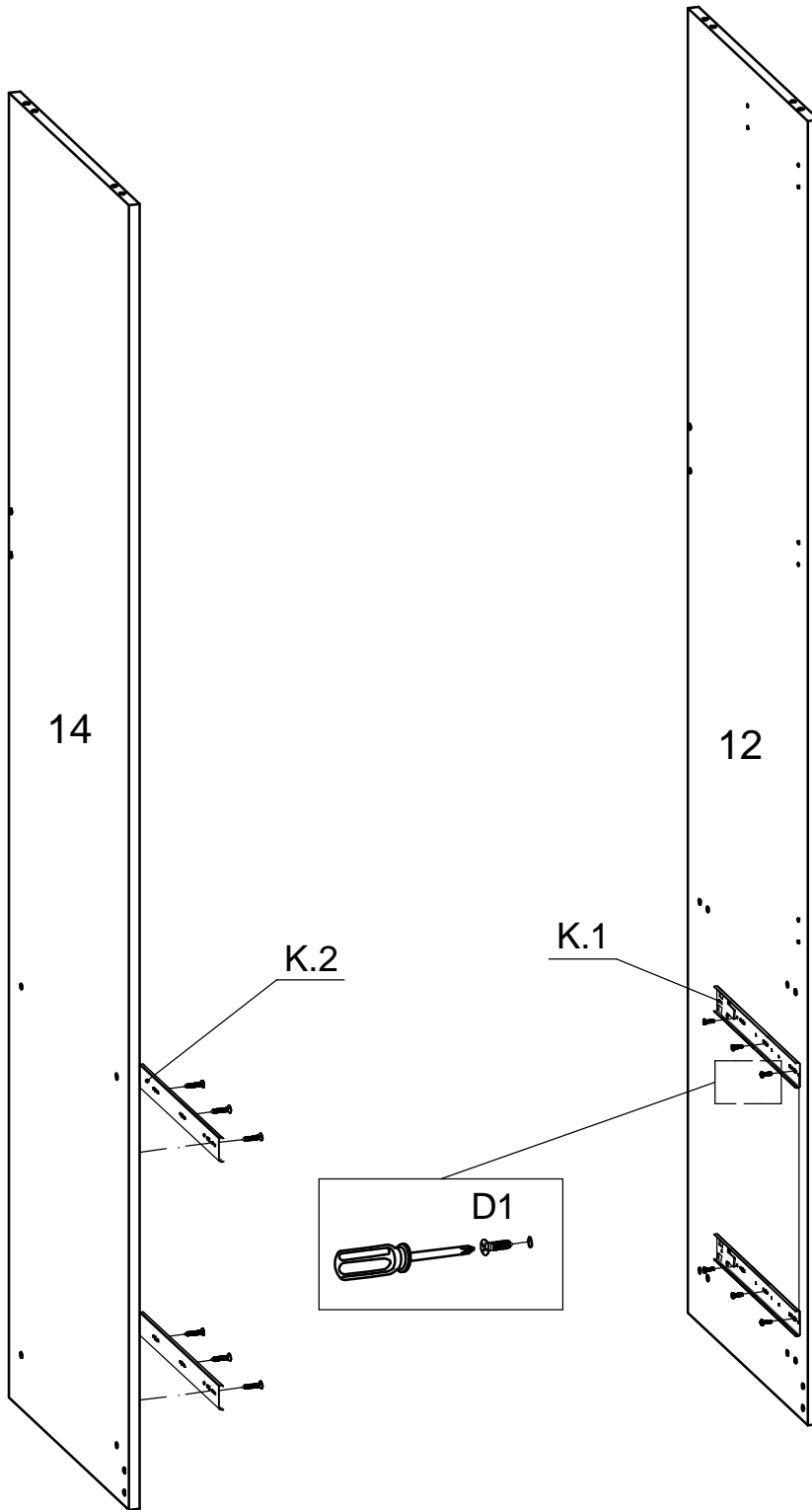
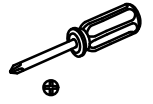
D1 x 12



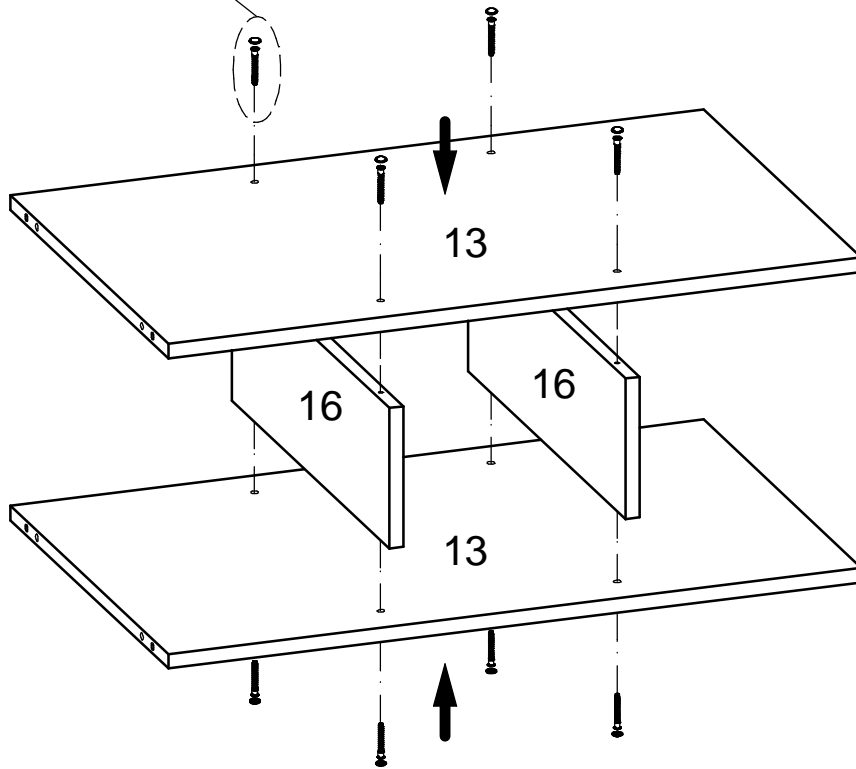
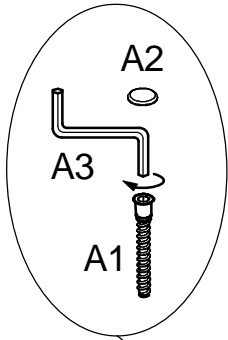
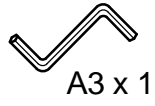
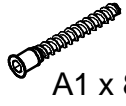
K.1 x 2



K.2 x 2



2



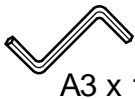
3



A1 x 24



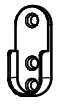
A2 x 24



A3 x 1



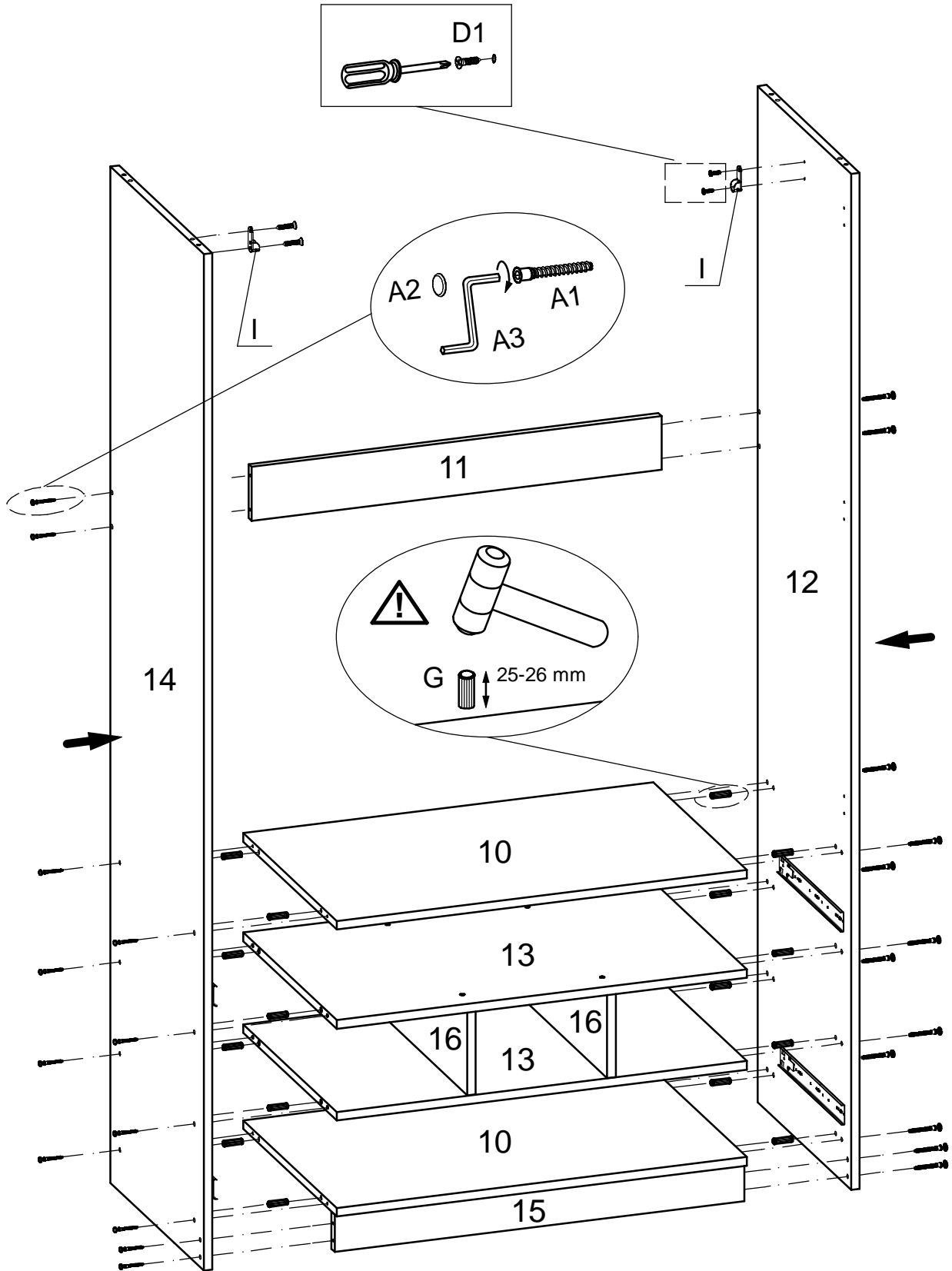
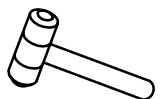
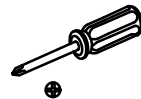
D1 x 4



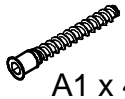
I x 2



G x 16



4



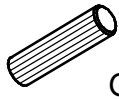
A1 x 4



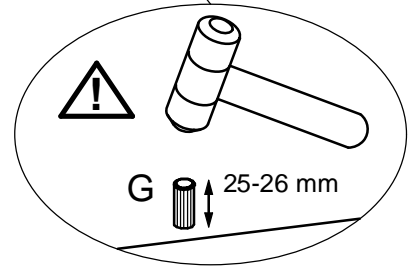
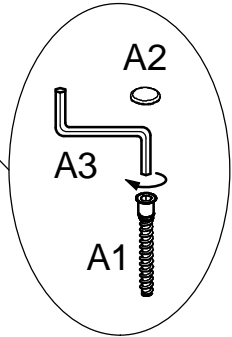
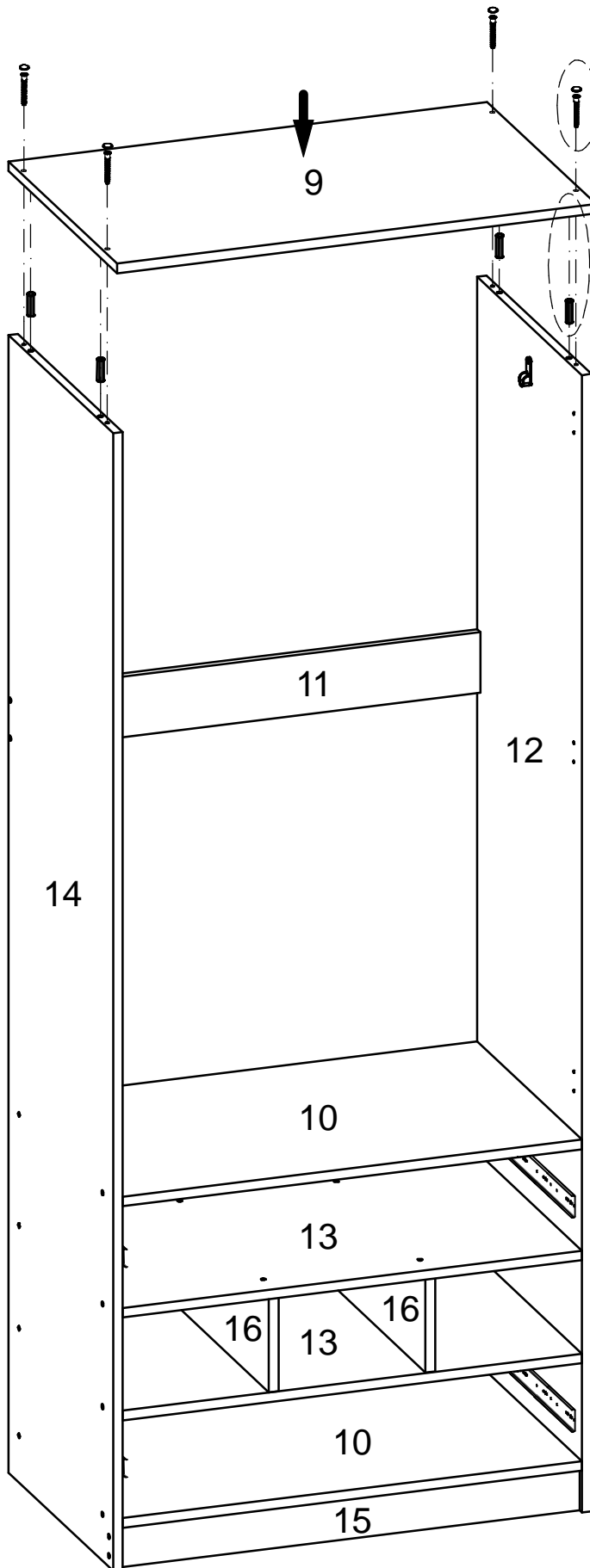
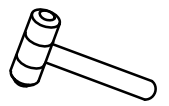
A2 x 4



A3 x 1



G x 4



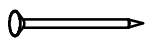
5



C x 4



D1 x 4



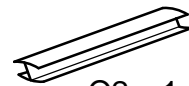
F x 60



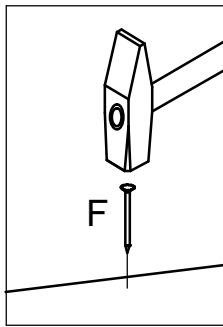
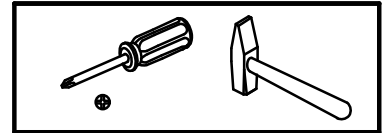
N x 4



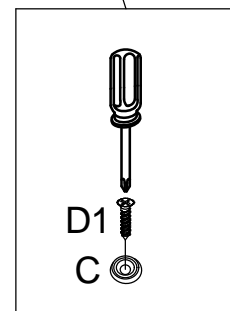
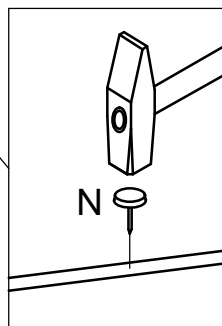
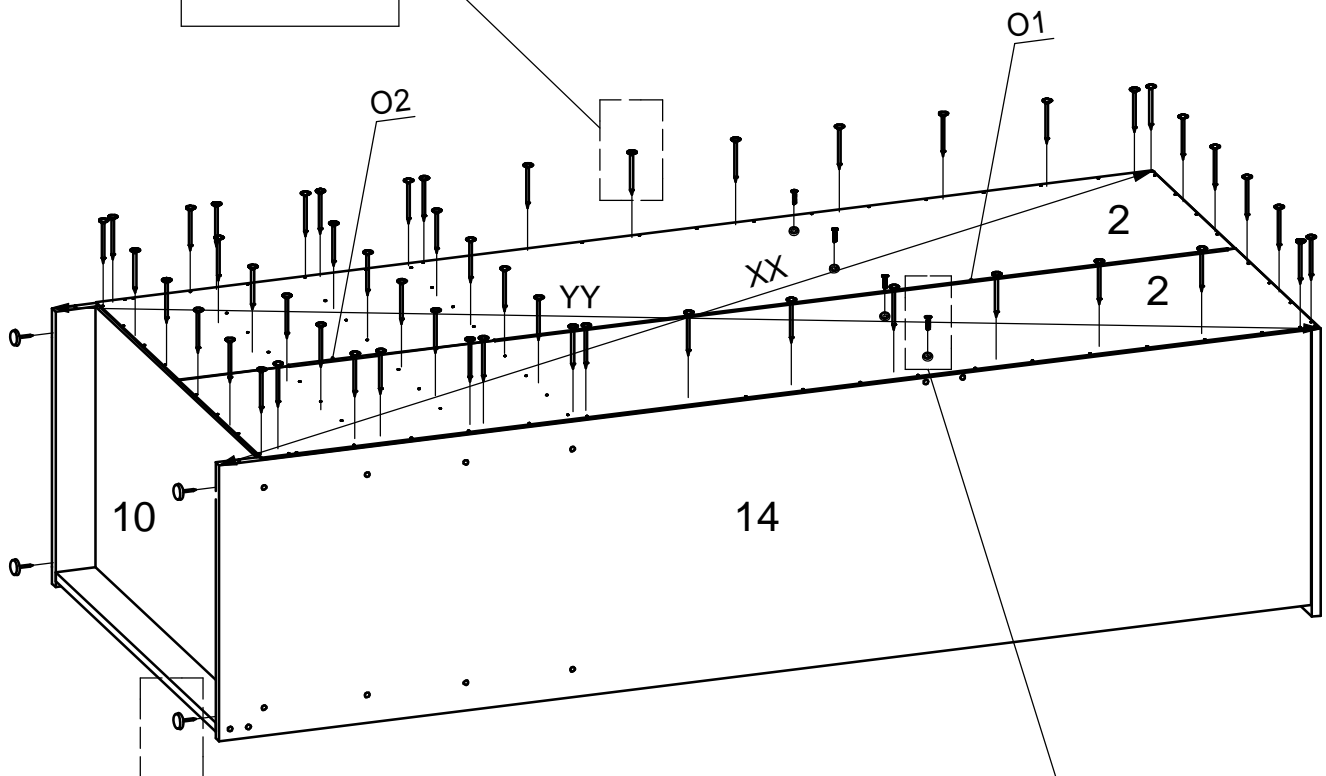
O1 x 1



O2 x 1



⚠ XX=YY≅90°



6



D1 x 24



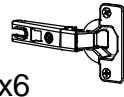
D2 x 4



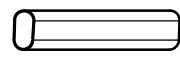
H x 2



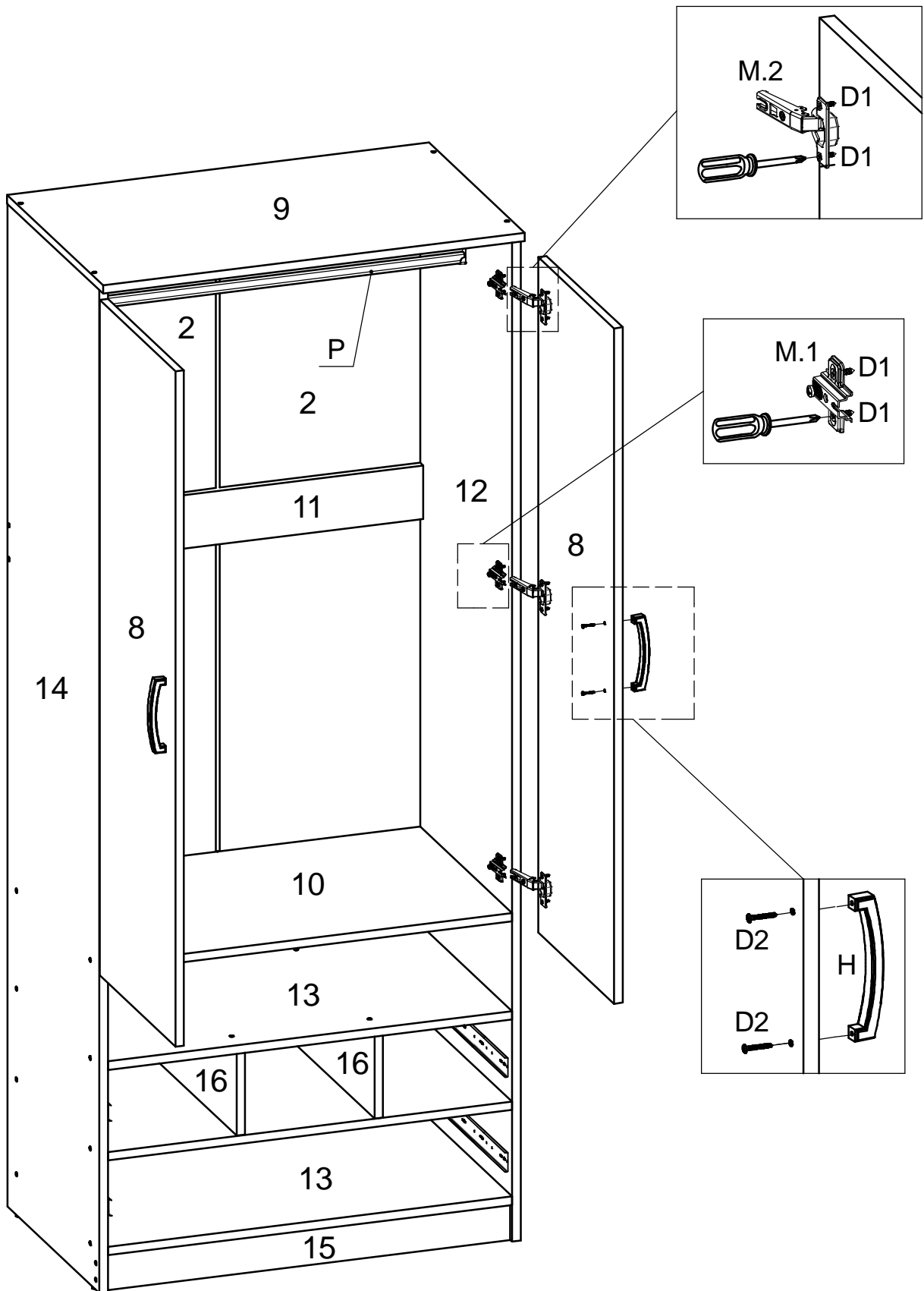
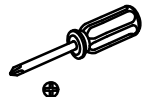
M.1 x 6



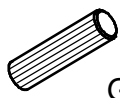
M.2 x 6



P x 1



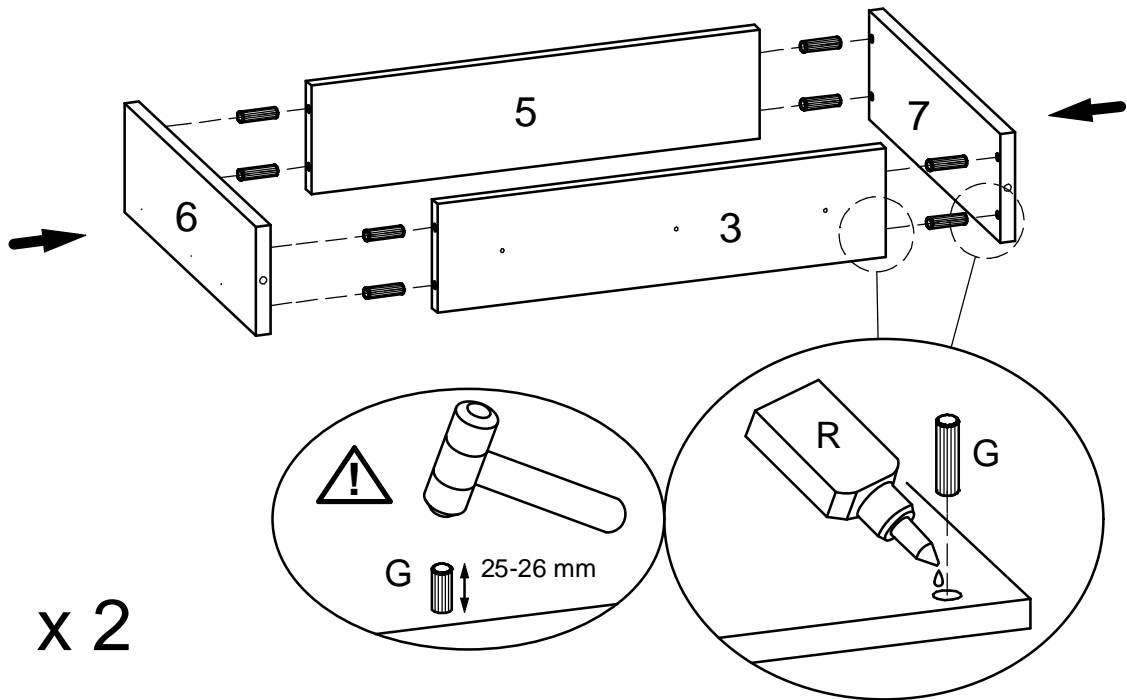
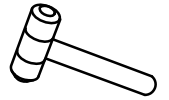
7



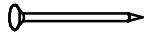
G x 16



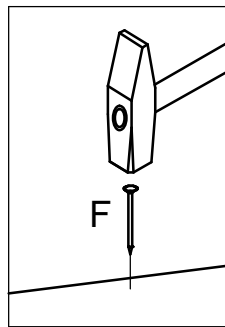
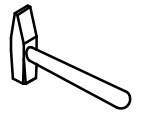
R x 1



8

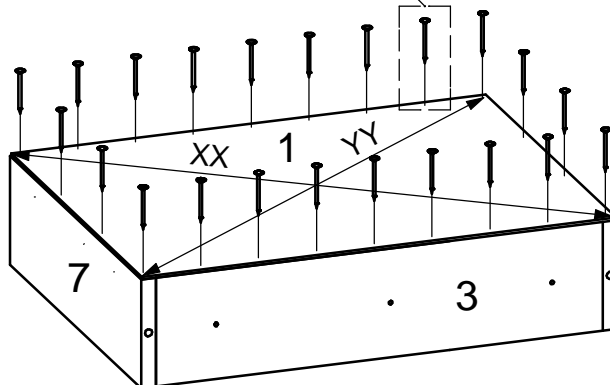


F x 34



! XX=YY≅90°

x 2



9



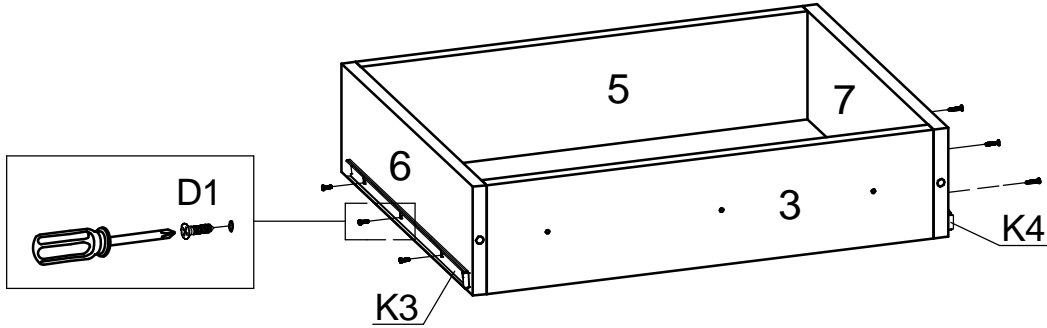
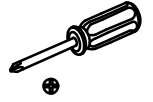
D1 x 12



K.3 x 2

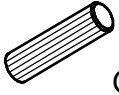


K.4 x 2

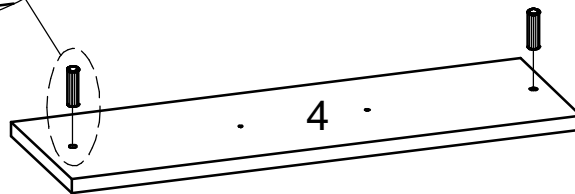
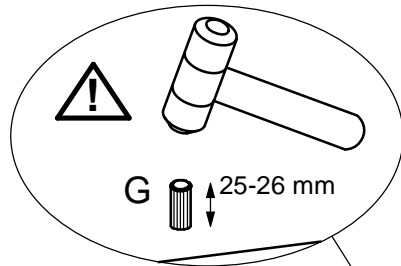
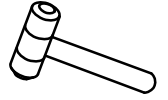


x 2

10



G x 2



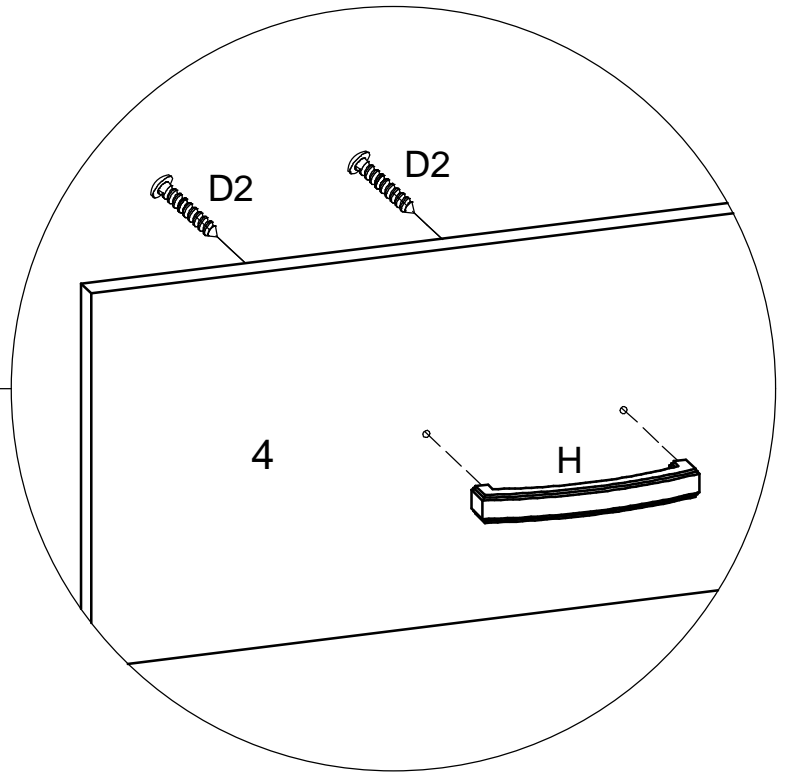
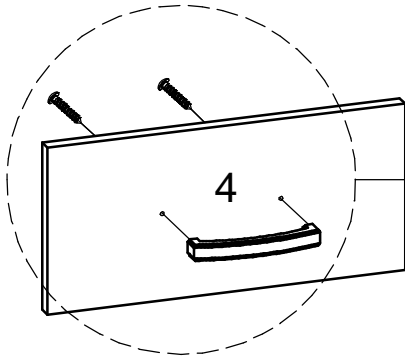
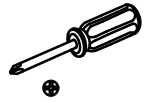
11



D2 x 2



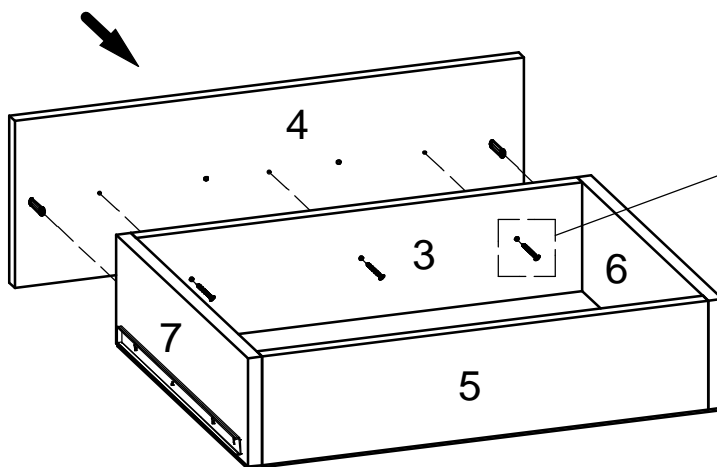
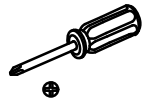
H x 1



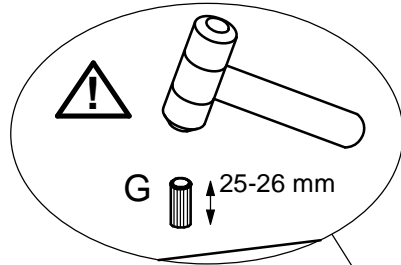
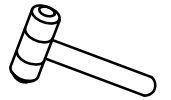
12



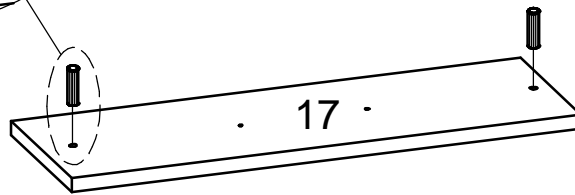
D3 x 3



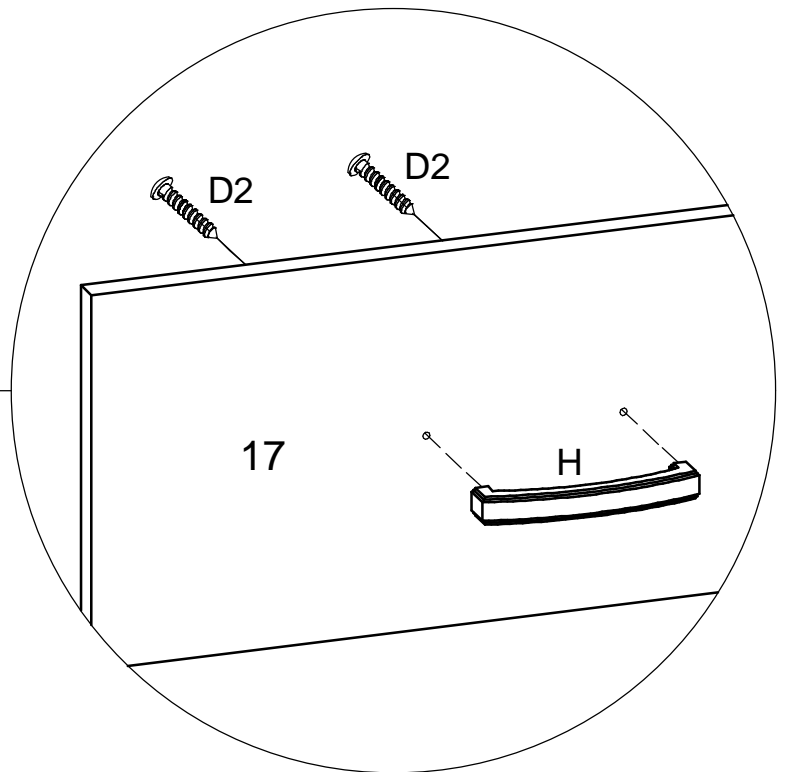
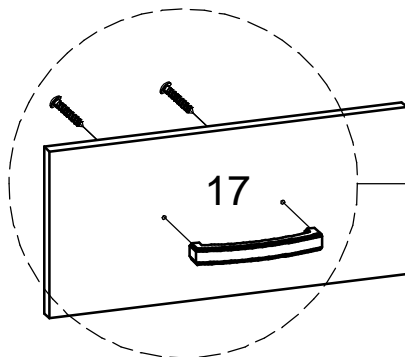
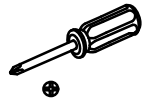
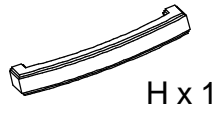
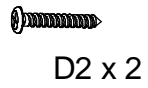
13



25-26 mm



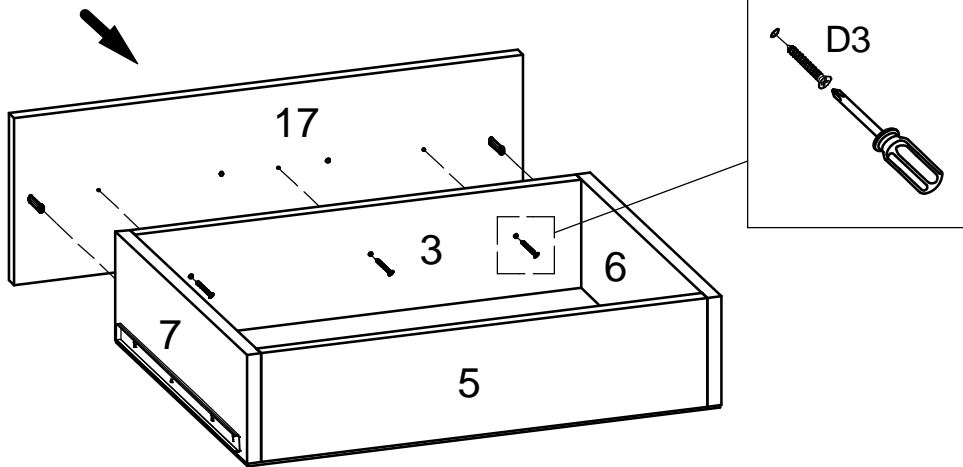
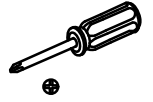
14



15



D3 x 3



16

